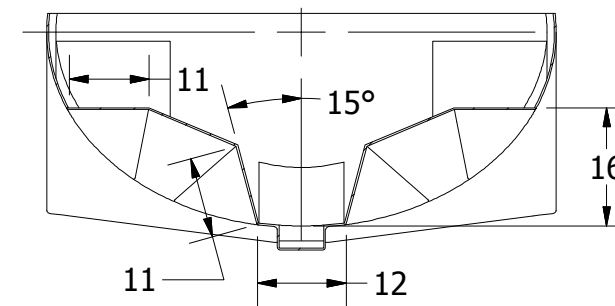
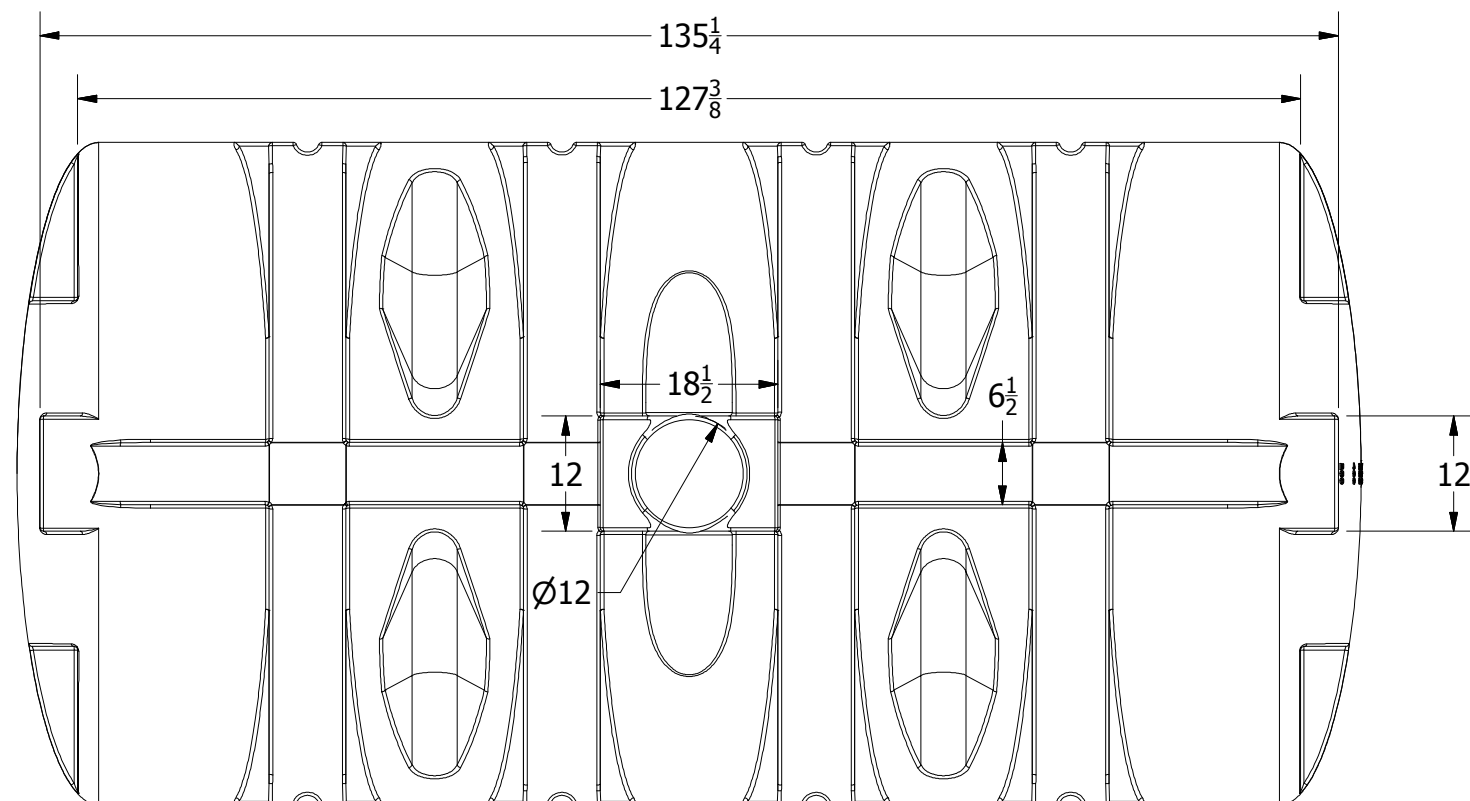
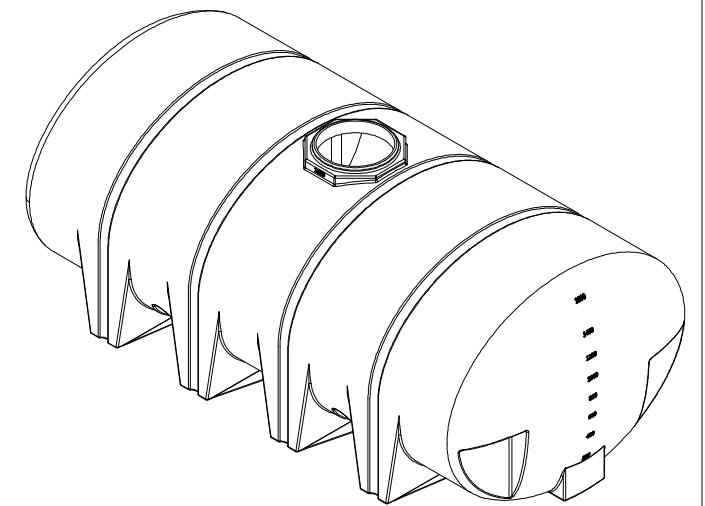



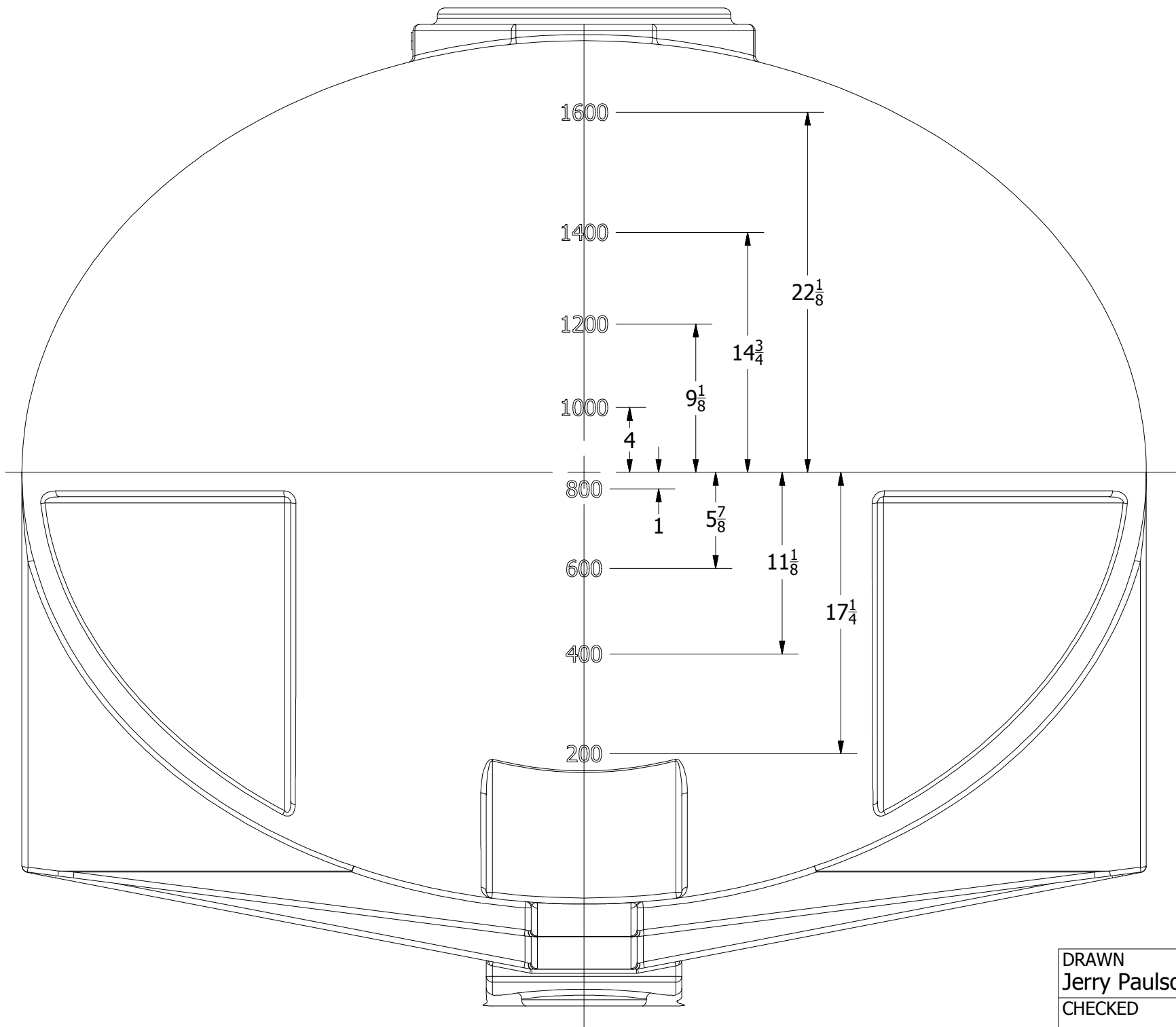
SECTION A-A  
SCALE 1:8




SECTION B-B  
SCALE 1 : 26



REVISION HISTORY			
REV	DESCRIPTION	DATE	AUTHOR
A	REDRAWN W/ REVISED SUMP	2/26/1999	
B	REDRAWN	7/31/2013	Michael Holden
DRAWN Jerry Paulson		10/29/1997	 NORWESCO, INC. SAINT BONIFACIUS, MN TITLE  <b>1610 GALLON ELLIPTICAL DRAINABLE TANK</b>
CHECKED			
QA			
MFG			
APPROVED			
SIZE <b>B</b>		DWG NO	REV <b>B</b>
SCALE: 1/16		SHEET 1 OF 2	



DRAWN Jerry Paulson	10/29/1997	 NORWESCO, INC. SAINT BONIFACIUS, MN TITLE		
CHECKED		<b>1610 GALLON ELLIPTICAL DRAINABLE TANK</b>		
QA				
MFG				
APPROVED				
		SIZE <b>B</b>	DWG NO	REV <b>B</b>
		SCALE: 1/16	SHEET 2 OF 2	